

# DATA SHEET

## **TDA8446**

**Fast RGB/YC switch for digital  
decoding**

Product specification  
Supersedes data of August 1992  
File under Integrated Circuits, IC02

1995 Feb 16

**Philips Semiconductors**



**PHILIPS**

## Fast RGB/YC switch for digital decoding

## TDA8446

### FEATURES

- R, G, B clamped inputs
- Luminance and chrominance difference matrix
- Y-clamped inputs
- Fast switching between internal and external Y
- Chrominance input
- Amplifier with selectable gain
- 3-state switch for chrominance output.

### DESCRIPTION

The TDA8446 is a video switch which has been designed for use in Digital Multistandard System Decoders (DMSD) in digital video system. The device is intended for matrixing incoming RGB signals and for switching between luminance signals. It generates a SYNC signal and TTL clamping pulses from any video signal with sync pulses.

### APPLICATIONS

- Digital TV systems
- Desktop video architecture.

### QUICK REFERENCE DATA

SYMBOL	PARAMETER	MIN.	TYP.	MAX.	UNIT
$V_{CC}$	supply voltage	10.8	–	13.2	V
$T_{amb}$	operating ambient temperature	0	–	+70	°C

### ORDERING INFORMATION

TYPE NUMBER	PACKAGE		
	NAME	DESCRIPTION	VERSION
TDA8446	DIP20	plastic dual in-line package; 20 leads; (300 mil)	SOT146-1
TDA8446T	SO28	plastic small outline package; 28 leads; body width 7.5 mm	SOT136-1

Fast RGB/YC switch for digital decoding

TDA8446

BLOCK DIAGRAM

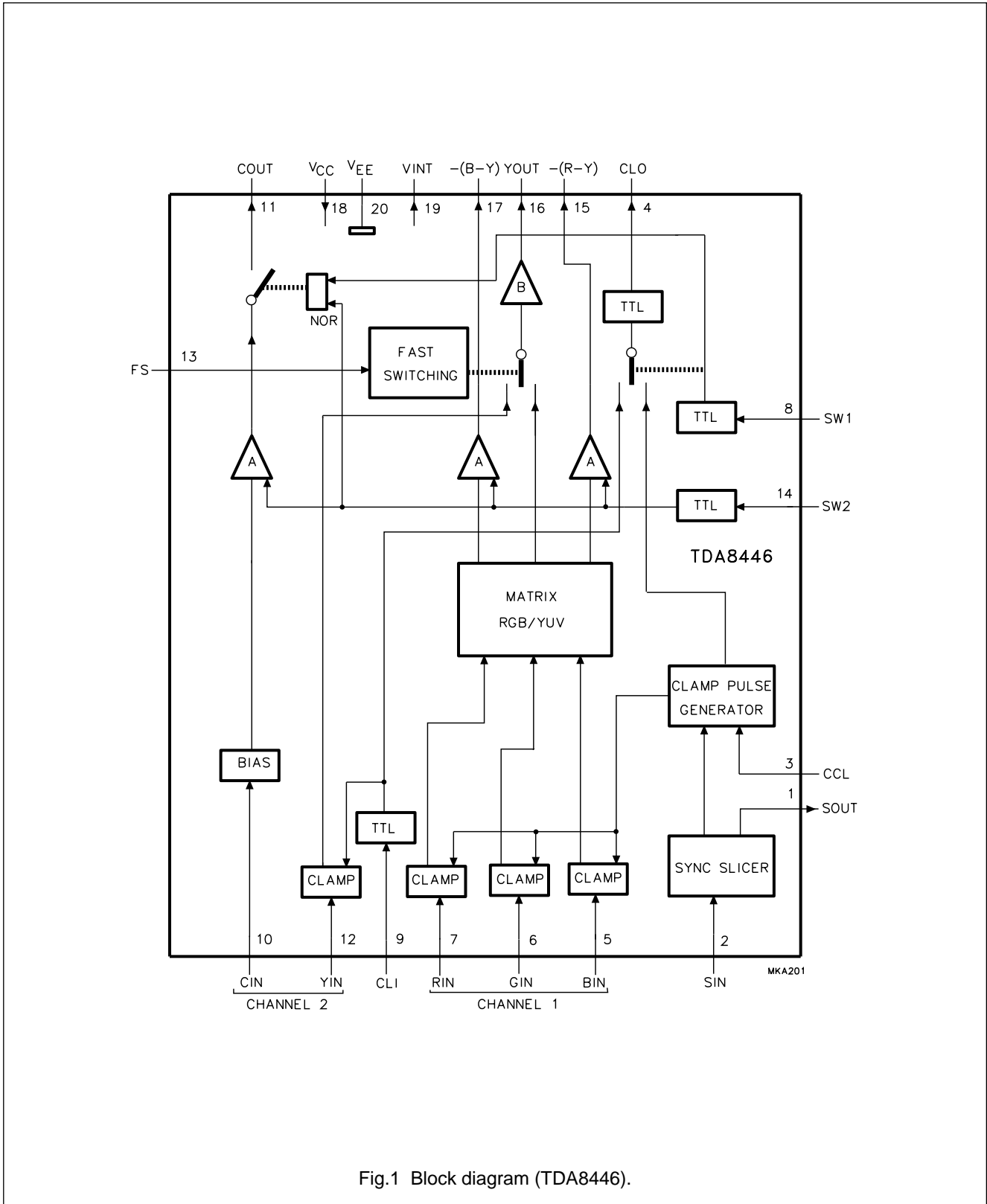


Fig.1 Block diagram (TDA8446).

## Fast RGB/YC switch for digital decoding

TDA8446

## PINNING

SYMBOL	PIN		DESCRIPTION
	DIP20	SO28	
SOUT	1	1	synchronization signal output; this output provides the synchronization information extracted from the incoming signal at pin 2 (SIN).
SIN	2	2	synchronization signal input; CSYNC or CVBS signal from the peri-connector
CCL	3	3	clamping capacitor connection; the clamping pulse is generated by external circuitry connected to this pin, the generated pulse clamps the RGB inputs.
n.c.	–	4	not connected
CLO	4	5	clamping pulse output
n.c.	–	6	not connected
BIN	5	7	B-signal input
GIN	6	8	G-signal input
RIN	7	9	R-signal input
SW1	8	10	clamping control signal input; this TTL signal is used to select the clamp signal, a LOW level at this input forces the circuit to output the generated clamping pulse.
n.c.	–	11	not connected
CLI	9	12	clamping pulse input; this TTL signal indicates the black level clamping period for the incoming Y signal (active-HIGH).
CIN	10	13	chrominance signal input
COUT	11	14	chrominance signal output
YIN	12	15	luminance signal input; this input also accepts the CVBS signal
FS	13	16	fast switching signal input; this signal is used to control fast switching of the luminance signals, a HIGH level at this input forces the circuit to output the internal Y signal.
n.c.	–	17	not connected
n.c.	–	18	not connected
SW2	14	19	gain control signal input; this TTL signal is used to set the gain of the chrominance amplifiers (A), a LOW level at this input forces the gain A to 6 dB (HIGH forces to 0 dB).
n.c.	–	20	not connected
–(R–Y)	15	21	–(R–Y) signal output
YOUT	16	22	luminance signal output
–(B–Y)	17	23	–(B–Y) signal output
n.c.	–	24	not connected
n.c.	–	25	not connected
V <sub>CC</sub>	18	26	positive supply voltage (+12 V)
V <sub>INT</sub>	19	27	internal decoupling
V <sub>EE</sub>	20	28	ground

Fast RGB/YC switch for digital decoding

TDA8446

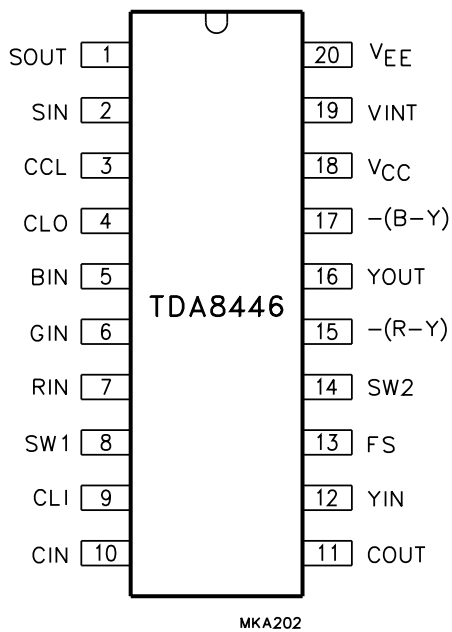


Fig.2 Pin configuration (DIP20).

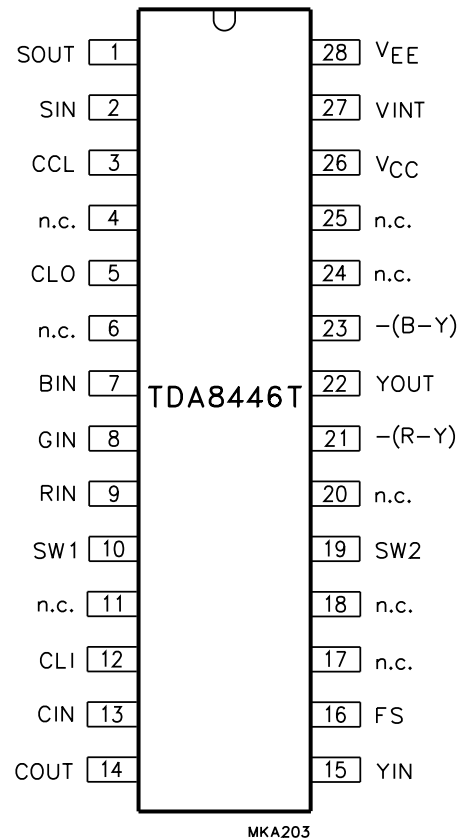


Fig.3 Pin configuration (SO28).

## Fast RGB/YC switch for digital decoding

TDA8446

**LIMITING VALUES**

In accordance with the Absolute Maximum Rating System (IEC 134).

SYMBOL	PARAMETER	MIN.	MAX.	UNIT
$V_{CC}$	supply voltage	-0.3	+14	V
$V_I$	input voltage	-0.3	+12.3	V
$T_{stg}$	storage temperature	-55	+125	°C

**HANDLING**

Each pin will withstand the ESD test in accordance with MIL-STD-883C class 2 (2000 V to 2999 V). Method 3015 (Human body model:  $R = 1500 \Omega$ ;  $C = 100 \text{ pF}$ ) 3 pulses positive and 3 pulses negative on each pin as a function of ground. The IC will withstand 500 V in accordance with UZW-BO/FQ-B302 (Machine model:  $R = 0 \Omega$ ;  $C = 200 \text{ pF}$ ;  $L = 2.5 \mu\text{H}$ ) 3 pulses positive and 3 pulses negative.

**OPERATING CHARACTERISTICS**

SYMBOL	PARAMETER	MIN.	TYP.	MAX.	UNIT
<b>Supply/temperature</b>					
$V_{CC}$	supply voltage	10.8	–	13.2	V
$T_{amb}$	operating ambient temperature	0	–	+70	°C
<b>TTL inputs (SW1, SW2 and CLI)</b>					
$V_{IH}$	HIGH level input voltage	2	–	$V_{CC}$	V
$V_{IL}$	LOW level input voltage	-0.3	–	+0.8	V
<b>SYNC signal (SIN)</b>					
$V_{S(p-p)}$	sync amplitude (peak-to-peak value)	0.2	–	2.5	V
<b>Fast Switching input (FS)</b>					
$V_{IH}$	HIGH level input voltage	1	–	3	V
$V_{IL}$	LOW level input voltage	0	–	0.4	V
<b>Video inputs (RIN, GIN, BIN, CIN, YIN)</b>					
$V_{i(p-p)}$	video amplitude on RIN, GIN and BIN inputs (peak-to-peak value)	–	0.7	1	V
$C_I$	input capacitance	–	100	–	nF
<b>Clamping pulse generator (CCL)</b>					
$R_{clamp}$	clamping resistance	–	4.7	–	k $\Omega$
$C_{clamp}$	clamping capacitance	–	1	–	nF

## Fast RGB/YC switch for digital decoding

TDA8446

## CHARACTERISTICS

 $V_{CC} = 12\text{ V}$ ;  $T_{amb} = 25\text{ °C}$ ; unless otherwise specified.

SYMBOL	PARAMETER	CONDITIONS	MIN.	TYP.	MAX.	UNIT
<b>Supply</b>						
$I_{CC}$	supply current		–	–	75	mA
SVRR	supply voltage rejection ratio	note 1	30	–	–	dB
<b>Y and R, G, B channels</b>						
$I_{CL}$	input clamping current	$V_{CC} = 6\text{ V}$ ; $V_I = 0\text{ V}$	0.3	–	–	mA
$I_I$	input current	$V_I = 9\text{ V}$	–1.5	+0.5	+1.5	$\mu\text{A}$
$G_A$	gain of amplifier A	$f_i = 1\text{ MHz}$ ; $V_{SW2} = 2\text{ V}$	–1	0	+1	dB
		$f_i = 1\text{ MHz}$ ; $V_{SW2} = 0.8\text{ V}$	5	6	7	dB
$G_B$	gain of amplifier B	$f_i = 1\text{ MHz}$	–1	0	+1	dB
	RGB matrixed according to the following equations: $Y = 0.30R + 0.59G + 0.11B$ $R - Y = 0.70R - 0.59G - 0.11B$ $B - Y = -0.30R - 0.59G + 0.89B$					
$\Delta G_{diff}$	relative gain difference	note 2	–	0	10	%
$ \Delta G $	maximum gain variation	$100\text{ kHz} < f_i < 8\text{ MHz}$	–	3	–	dB
$R_O$	output resistance		–	15	–	$\Omega$
$\Delta t$	time difference at output	$f_i = 1\text{ MHz}$ ; note 3	–	–	25	ns
$V_O$	DC output level	$V_{CCL} = 6\text{ V}$	–	4.2	–	V
$t_{fsd}$	fast switching delay	see Fig.4	–	20	–	ns
$t_{fs}$	fast switching time	see Fig.4	–	10	–	ns
$I_{IFS}$	input current on fast switching control (pin 13)	$V_I = 0.4\text{ V}$	–	0.7	–	$\mu\text{A}$
		$V_I = 1\text{ V}$	–	0.5	–	$\mu\text{A}$
<b>Chrominance channel (CIN, COUT)</b>						
$R_i$	internal input resistance		–	50	–	k $\Omega$
$V_O$	DC output level	$I_I = 0$	–	5	–	V
$G_A$	gain of amplifier A	$f_i = 1\text{ MHz}$ ; $V_{SW1} = V_{SW2} = 2\text{ V}$	–1	0	+1	dB
		$f_i = 1\text{ MHz}$ ; $V_{SW2} = 0.8\text{ V}$	5	6	7	dB
$ \Delta G $	maximum gain variation	$100\text{ kHz} < f_i < 8\text{ MHz}$	–	3	–	dB
$\alpha_{off}$	isolation (off state)	$f_i = 5\text{ MHz}$ ; $V_{SW1} = V_{SW2} = 0.8\text{ V}$	–	60	–	dB
$Z_o$	output impedance	$V_{SW1} = V_{SW2} = 0.8\text{ V}$	100	–	–	k $\Omega$
$R_o$	output resistance		–	7	–	$\Omega$
<b>TTL inputs (SW1, SW2, CLI)</b>						
$I_{IH}$	HIGH level input current	$V_{IH} = 2\text{ V}$	–	–	10	$\mu\text{A}$
$I_{IL}$	LOW level input current	$V_{IL} = 0.8\text{ V}$	–	–	–600	$\mu\text{A}$

Fast RGB/YC switch for digital decoding

TDA8446

SYMBOL	PARAMETER	CONDITIONS	MIN.	TYP.	MAX.	UNIT
<b>Clamp output (CLO)</b>						
V <sub>OL</sub>	LOW level output voltage	I <sub>OL</sub> = 2 mA	–	–	0.4	V
V <sub>OH</sub>	HIGH level output voltage	I <sub>OH</sub> = 10 μA	2.4	–	–	V
<b>Synchronization channel (SOUT)</b>						
V <sub>o(p-p)</sub>	output amplitude (peak-to-peak value)		0.2	–	1.5	V

Notes

- Supply voltage rejection ratio =  $20 \log \frac{V_{R(CC)}}{V_{R(O)}}$
- The relative gain difference is measured when only one input signal (R, G or B) is present.
- The inputs RIN, GIN and BIN are interconnected; Δt is the maximum time coincidence error between the luminance and the chrominance signals.

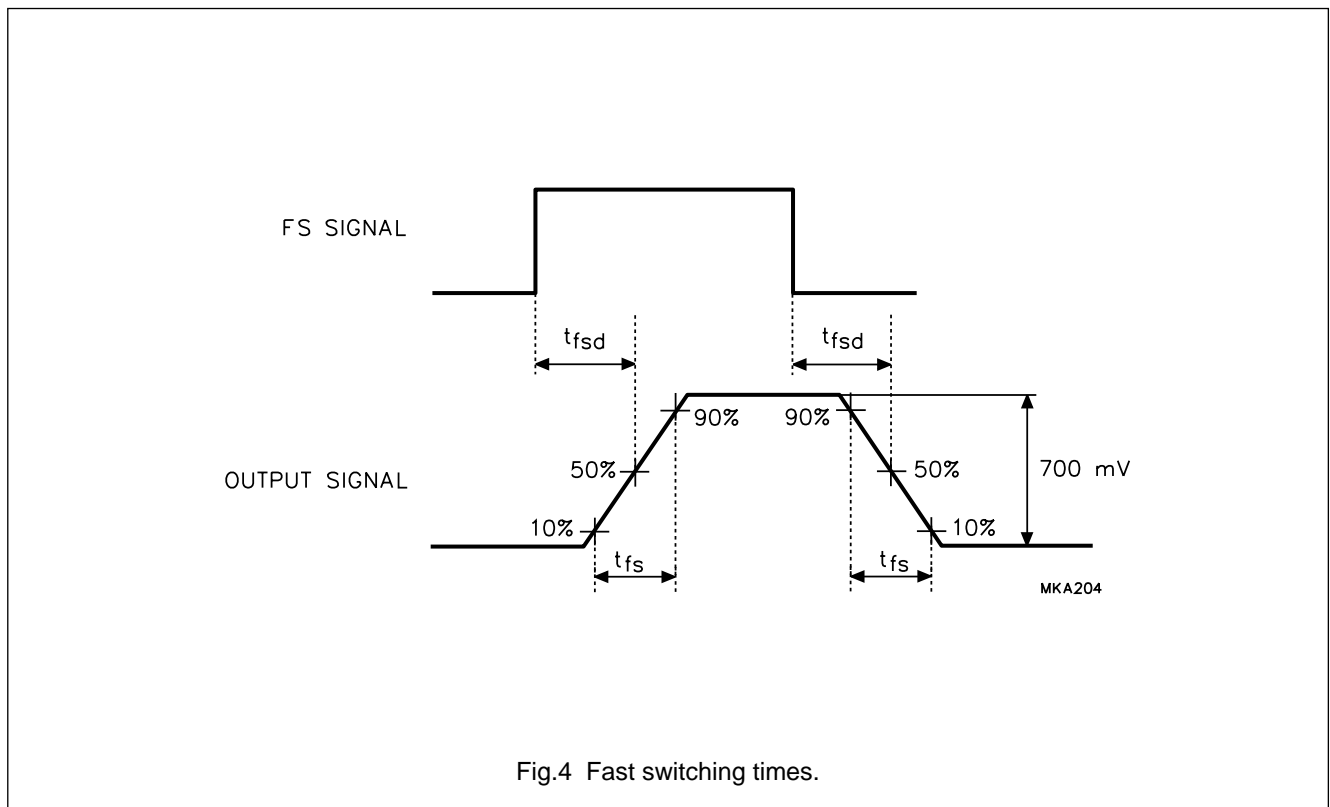


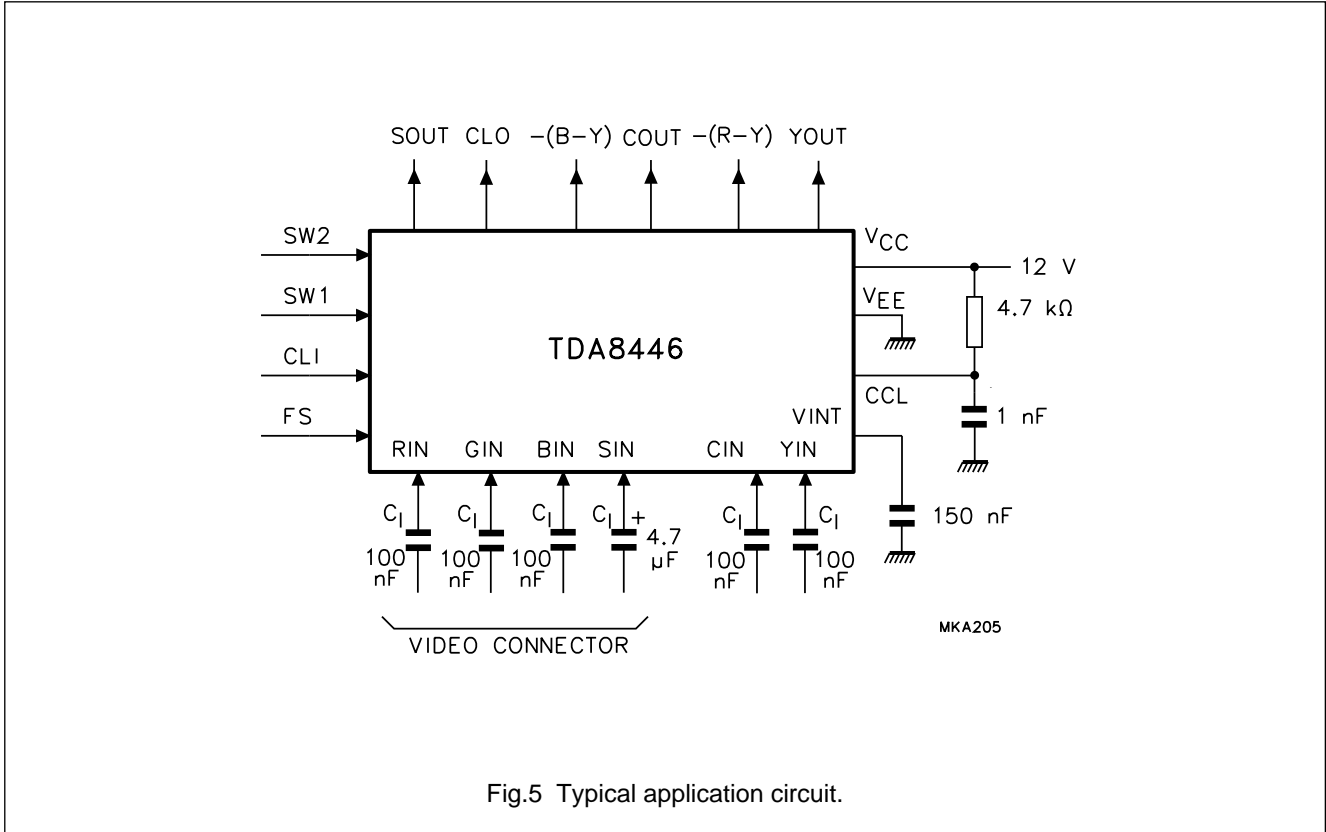
Fig.4 Fast switching times.



Fast RGB/YC switch for digital decoding

TDA8446

APPLICATION INFORMATION



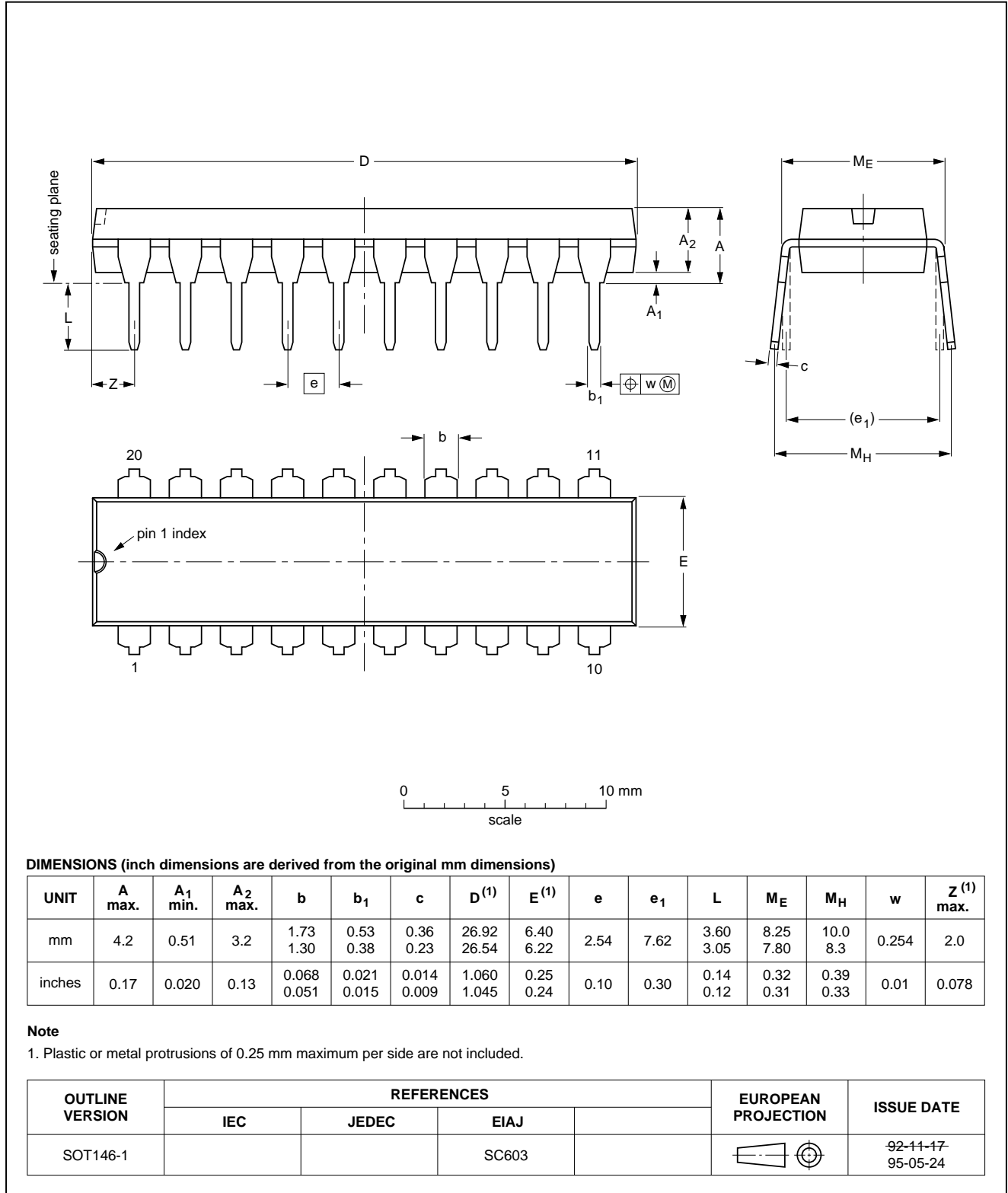
Fast RGB/YC switch for digital decoding

TDA8446

PACKAGE OUTLINES

DIP20: plastic dual in-line package; 20 leads (300 mil)

SOT146-1

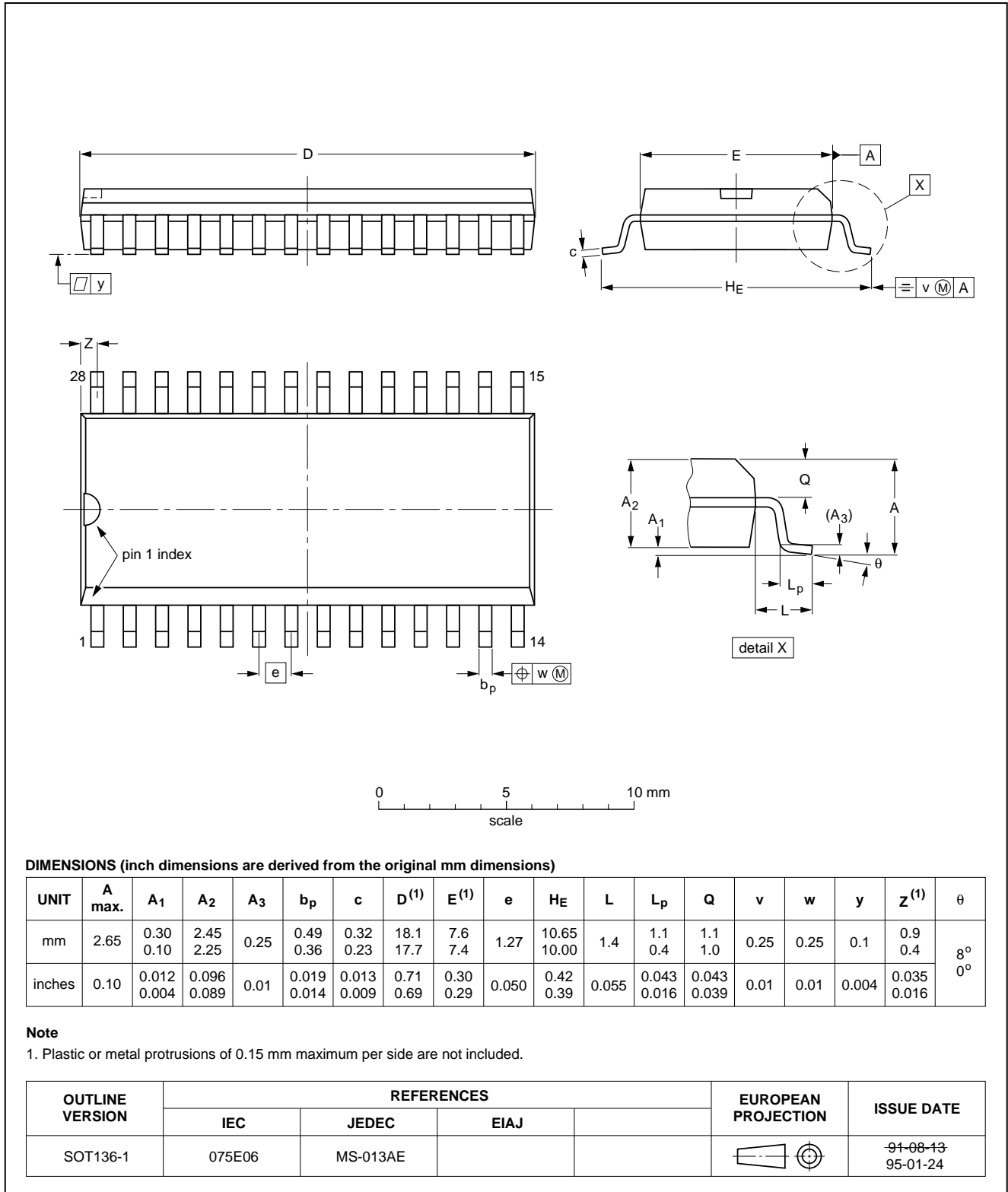


Fast RGB/YC switch for digital decoding

TDA8446

SO28: plastic small outline package; 28 leads; body width 7.5 mm

SOT136-1



---

**Fast RGB/YC switch for digital decoding****TDA8446**

---

**SOLDERING****Plastic dual in-line packages**

BY DIP OR WAVE

The maximum permissible temperature of the solder is 260 °C; this temperature must not be in contact with the joint for more than 5 s. The total contact time of successive solder waves must not exceed 5 s.

The device may be mounted up to the seating plane, but the temperature of the plastic body must not exceed the specified storage maximum. If the printed-circuit board has been pre-heated, forced cooling may be necessary immediately after soldering to keep the temperature within the permissible limit.

**REPAIRING SOLDERED JOINTS**

Apply a low voltage soldering iron below the seating plane (or not more than 2 mm above it). If its temperature is below 300 °C, it must not be in contact for more than 10 s; if between 300 and 400 °C, for not more than 5 s.

**Plastic small outline packages**

BY WAVE

During placement and before soldering, the component must be fixed with a droplet of adhesive. After curing the adhesive, the component can be soldered. The adhesive can be applied by screen printing, pin transfer or syringe dispensing.

Maximum permissible solder temperature is 260 °C, and maximum duration of package immersion in solder bath is 10 s, if allowed to cool to less than 150 °C within 6 s. Typical dwell time is 4 s at 250 °C.

A modified wave soldering technique is recommended using two solder waves (dual-wave), in which a turbulent wave with high upward pressure is followed by a smooth laminar wave. Using a mildly-activated flux eliminates the need for removal of corrosive residues in most applications.

**BY SOLDER PASTE REFLOW**

Reflow soldering requires the solder paste (a suspension of fine solder particles, flux and binding agent) to be applied to the substrate by screen printing, stencilling or pressure-syringe dispensing before device placement.

Several techniques exist for reflowing; for example, thermal conduction by heated belt, infrared, and vapour-phase reflow. Dwell times vary between 50 and 300 s according to method. Typical reflow temperatures range from 215 to 250 °C.

Preheating is necessary to dry the paste and evaporate the binding agent. Preheating duration: 45 min at 45 °C.

**REPAIRING SOLDERED JOINTS (BY HAND-HELD SOLDERING IRON OR PULSE-HEATED SOLDER TOOL)**

Fix the component by first soldering two, diagonally opposite, end pins. Apply the heating tool to the flat part of the pin only. Contact time must be limited to 10 s at up to 300 °C. When using proper tools, all other pins can be soldered in one operation within 2 to 5 s at between 270 and 320 °C. (Pulse-heated soldering is not recommended for SO packages.)

For pulse-heated solder tool (resistance) soldering of VSO packages, solder is applied to the substrate by dipping or by an extra thick tin/lead plating before package placement.<sup>59+</sup>

## Fast RGB/YC switch for digital decoding

TDA8446

**DEFINITIONS**

<b>Data sheet status</b>	
Objective specification	This data sheet contains target or goal specifications for product development.
Preliminary specification	This data sheet contains preliminary data; supplementary data may be published later.
Product specification	This data sheet contains final product specifications.
<b>Limiting values</b>	
Limiting values given are in accordance with the Absolute Maximum Rating System (IEC 134). Stress above one or more of the limiting values may cause permanent damage to the device. These are stress ratings only and operation of the device at these or at any other conditions above those given in the Characteristics sections of the specification is not implied. Exposure to limiting values for extended periods may affect device reliability.	
<b>Application information</b>	
Where application information is given, it is advisory and does not form part of the specification.	

**LIFE SUPPORT APPLICATIONS**

These products are not designed for use in life support appliances, devices, or systems where malfunction of these products can reasonably be expected to result in personal injury. Philips customers using or selling these products for use in such applications do so at their own risk and agree to fully indemnify Philips for any damages resulting from such improper use or sale.

Fast RGB/YC switch for digital decoding

TDA8446

---

**NOTES**

Fast RGB/YC switch for digital decoding

TDA8446

---

**NOTES**

## Philips Semiconductors – a worldwide company

**Argentina:** IEROD, Av. Juramento 1992 - 14.b, (1428)  
BUENOS AIRES, Tel. (541)786 7633, Fax. (541)786 9367

**Australia:** 34 Waterloo Road, NORTH RYDE, NSW 2113,  
Tel. (02)805 4455, Fax. (02)805 4466

**Austria:** Triester Str. 64, A-1101 WIEN, P.O. Box 213,  
Tel. (01)60 101-1236, Fax. (01)60 101-1211

**Belgium:** Postbus 90050, 5600 PB EINDHOVEN, The Netherlands,  
Tel. (31)40 783 749, Fax. (31)40 788 399

**Brazil:** Rua do Rocio 220 - 5<sup>th</sup> floor, Suite 51,  
CEP: 04552-903-SÃO PAULO-SP, Brazil.  
P.O. Box 7383 (01064-970).

Tel. (011)821-2333, Fax. (011)829-1849

**Canada:** PHILIPS SEMICONDUCTORS/COMPONENTS:  
Tel. (800) 234-7381, Fax. (708) 296-8556

**Chile:** Av. Santa Maria 0760, SANTIAGO,  
Tel. (02)773 816, Fax. (02)777 6730

**Colombia:** IPRELENZO LTDA, Carrera 21 No. 56-17,  
77621 BOGOTA, Tel. (571)249 7624/(571)217 4609,  
Fax. (571)217 4549

**Denmark:** Prags Boulevard 80, PB 1919, DK-2300 COPENHAGEN S,  
Tel. (032)88 2636, Fax. (031)57 1949

**Finland:** Sinikalliontie 3, FIN-02630 ESPOO,  
Tel. (9)0-50261, Fax. (9)0-520971

**France:** 4 Rue du Port-aux-Vins, BP317,  
92156 SURESNES Cedex,  
Tel. (01)4099 6161, Fax. (01)4099 6427

**Germany:** P.O. Box 10 63 23, 20043 HAMBURG,  
Tel. (040)3296-0, Fax. (040)3296 213.

**Greece:** No. 15, 25th March Street, GR 17778 TAVROS,  
Tel. (01)4894 339/4894 911, Fax. (01)4814 240

**Hong Kong:** PHILIPS HONG KONG Ltd., 15/F Philips Ind. Bldg.,  
24-28 Kung Yip St., KWAI CHUNG, N.T.,  
Tel. (852)424 5121, Fax. (852)480 6960/480 6009

**India:** Philips INDIA Ltd, Shivsagar Estate, A Block,  
Dr. Annie Besant Rd. Worli, Bombay 400 018  
Tel. (022)4938 541, Fax. (022)4938 722

**Indonesia:** Philips House, Jalan H.R. Rasuna Said Kav. 3-4,  
P.O. Box 4252, JAKARTA 12950,  
Tel. (021)5201 122, Fax. (021)5205 189

**Ireland:** Newstead, Clonskeagh, DUBLIN 14,  
Tel. (01)640 000, Fax. (01)640 200

**Italy:** PHILIPS SEMICONDUCTORS S.r.l.,  
Piazza IV Novembre 3, 20124 MILANO,  
Tel. (0039)2 6752 2531, Fax. (0039)2 6752 2557

**Japan:** Philips Bldg 13-37, Kohnan2-chome, Minato-ku, TOKYO 108,  
Tel. (03)3740 5028, Fax. (03)3740 0580

**Korea:** (Republic of) Philips House, 260-199 Itaewon-dong,  
Yongsan-ku, SEOUL, Tel. (02)794-5011, Fax. (02)798-8022

**Malaysia:** No. 76 Jalan Universiti, 46200 PETALING JAYA,  
SELANGOR, Tel. (03)750 5214, Fax. (03)757 4880

**Mexico:** 5900 Gateway East, Suite 200, EL PASO, TX 79905,  
Tel. 9-5(800)234-7381, Fax. (708)296-8556

**Netherlands:** Postbus 90050, 5600 PB EINDHOVEN, Bldg. VB  
Tel. (040)783749, Fax. (040)788399

**New Zealand:** 2 Wagener Place, C.P.O. Box 1041, AUCKLAND,  
Tel. (09)849-4160, Fax. (09)849-7811

**Norway:** Box 1, Manglerud 0612, OSLO,  
Tel. (022)74 8000, Fax. (022)74 8341

**Pakistan:** Philips Electrical Industries of Pakistan Ltd.,  
Exchange Bldg. ST-2/A, Block 9, KDA Scheme 5, Clifton,  
KARACHI 75600, Tel. (021)587 4641-49,  
Fax. (021)577035/5874546.

**Philippines:** PHILIPS SEMICONDUCTORS PHILIPPINES Inc,  
106 Valero St. Salcedo Village, P.O. Box 2108 MCC, MAKATI,  
Metro MANILA, Tel. (02)810 0161, Fax. (02)817 3474

**Portugal:** PHILIPS PORTUGUESA, S.A.,  
Rua dr. António Loureiro Borges 5, Arquiparque - Miraflores,  
Apartado 300, 2795 LINDA-A-VELHA,  
Tel. (01)4163160/4163333, Fax. (01)4163174/4163366.

**Singapore:** Lorong 1, Toa Payoh, SINGAPORE 1231,  
Tel. (65)350 2000, Fax. (65)251 6500

**South Africa:** S.A. PHILIPS Pty Ltd.,  
195-215 Main Road Martindale, 2092 JOHANNESBURG,  
P.O. Box 7430 Johannesburg 2000,  
Tel. (011)470-5911, Fax. (011)470-5494.

**Spain:** Balmes 22, 08007 BARCELONA,  
Tel. (03)301 6312, Fax. (03)301 42 43

**Sweden:** Kottbygatan 7, Akalla. S-164 85 STOCKHOLM,  
Tel. (0)8-632 2000, Fax. (0)8-632 2745

**Switzerland:** Allmendstrasse 140, CH-8027 ZÜRICH,  
Tel. (01)488 2211, Fax. (01)481 77 30

**Taiwan:** PHILIPS TAIWAN Ltd., 23-30F, 66, Chung Hsiao West  
Road, Sec. 1. Taipei, Taiwan ROC, P.O. Box 22978,  
TAIPEI 100, Tel. (02)388 7666, Fax. (02)382 4382.

**Thailand:** PHILIPS ELECTRONICS (THAILAND) Ltd.,  
209/2 Sanpavuth-Bangna Road Prakanong,  
Bangkok 10260, THAILAND,  
Tel. (662)398-0141, Fax. (662)398-3319.

**Turkey:** Talatpasa Cad. No. 5, 80640 GÜLTEPE/ISTANBUL,  
Tel. (0212)279 2770, Fax. (0212)282 6707

**United Kingdom:** Philips Semiconductors LTD.,  
276 Bath Road, Hayes, MIDDLESEX UB3 5BX,  
Tel. (0181)730-5000, Fax. (0181)754-8421

**United States:** 811 East Arques Avenue, SUNNYVALE,  
CA 94088-3409, Tel. (800)234-7381, Fax. (708)296-8556

**Uruguay:** Coronel Mora 433, MONTEVIDEO,  
Tel. (02)70-4044, Fax. (02)92 0601

**Internet:** <http://www.semiconductors.philips.com/ps/>

**For all other countries apply to:** Philips Semiconductors,  
International Marketing and Sales, Building BE-p,  
P.O. Box 218, 5600 MD, EINDHOVEN, The Netherlands,  
Telex 35000 phtcnl, Fax. +31-40-724825

SCD38 © Philips Electronics N.V. 1994

All rights are reserved. Reproduction in whole or in part is prohibited without the prior written consent of the copyright owner.

The information presented in this document does not form part of any quotation or contract, is believed to be accurate and reliable and may be changed without notice. No liability will be accepted by the publisher for any consequence of its use. Publication thereof does not convey nor imply any license under patent- or other industrial or intellectual property rights.

Printed in The Netherlands

533061/1500/01/pp16  
Document order number:

Date of release: 1995 Feb 16  
9397 750 00009

# Philips Semiconductors



# PHILIPS